

## ACMM Membership Registration Form

Please check the box if you do not want your contact information made available to other ACMM members

New Member                       Renewal                       Update Address

Name: \_\_\_\_\_

Address: \_\_\_\_\_  
\_\_\_\_\_

Zip/Postal Code \_\_\_\_\_ Country: \_\_\_\_\_

Phone: \_\_\_\_\_ Email: \_\_\_\_\_

Memberships are from January to December, each year.

Your membership includes:

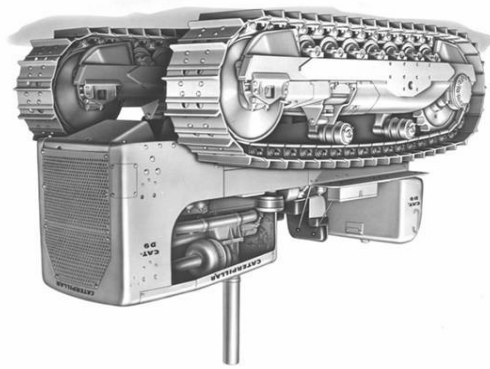
4 Newsletters from the museum                       Send via Email  
Notice of special events  
Display of your prize restoration caterpillar on the ACMM Website

**Membership fee is \$30.00**

Please do not send cash, bank checks, money orders in U.S. funds only.

Questions? On the web **info@antiquecaterpillarmuseum.org**  
Boni Halton (503) 280-1565

<http://antiquecaterpillar.com>



---

---

---

**PLACE  
STAMP  
HERE**

## **Antique Caterpillar Machinery Museum**

P.O. BOX 3377  
Portland, OR 97208  
USA